



**GENERAL TECHNOLOGIES, INC.**

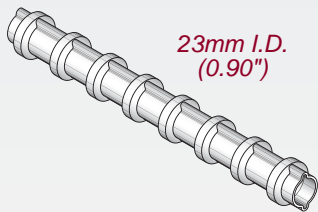


**MULTI-STRAND  
POST-TENSIONING  
PRODUCTS**

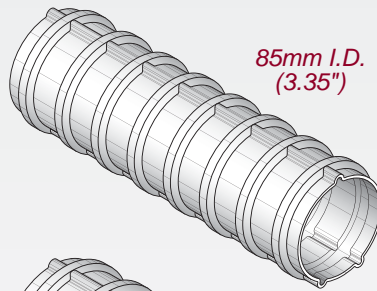


## GTI ROUND PLASTIC DUCT

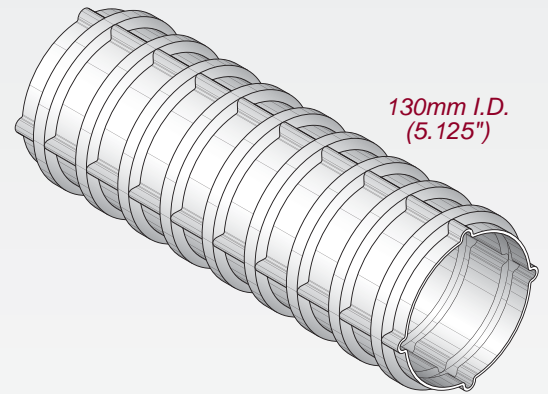
US PATENT No. DES.400,670  
US AND FOREIGN PATENTS PENDING



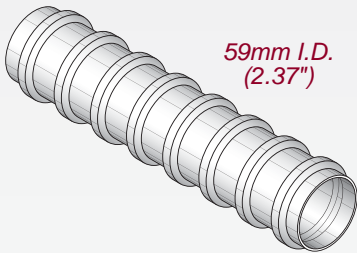
23mm I.D.  
(0.90")



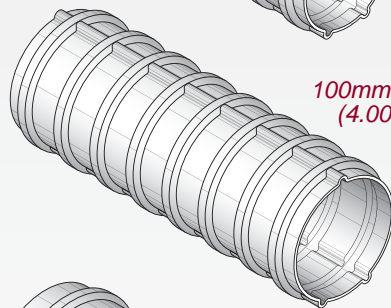
85mm I.D.  
(3.35")



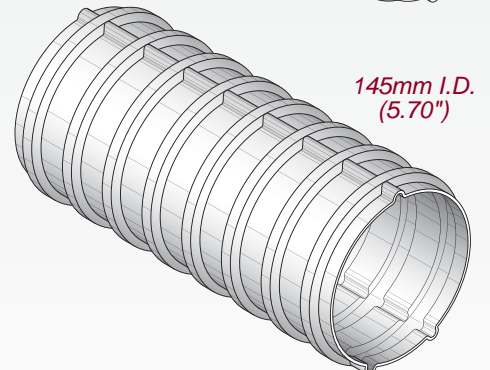
130mm I.D.  
(5.125")



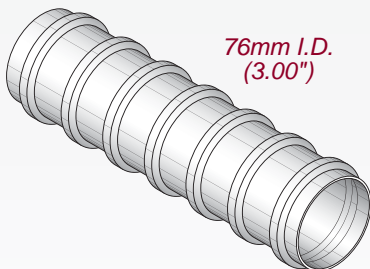
59mm I.D.  
(2.37")



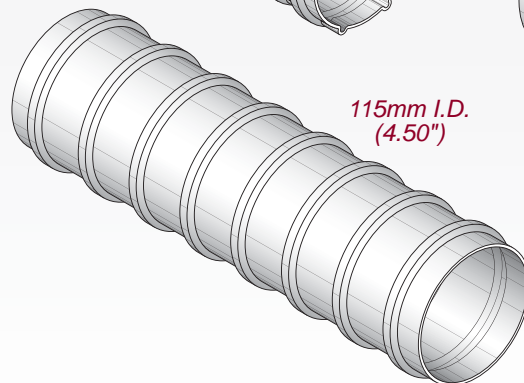
100mm I.D.  
(4.00")



145mm I.D.  
(5.70")



76mm I.D.  
(3.00")

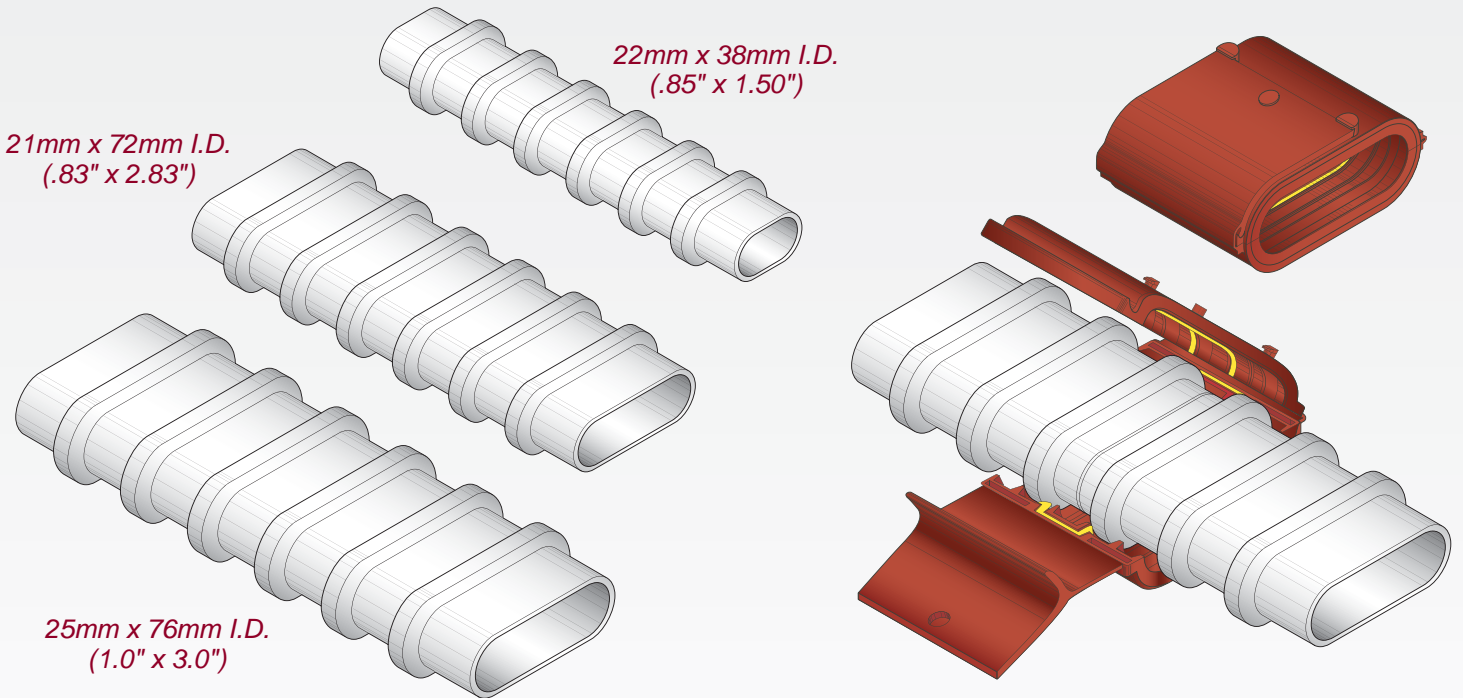


115mm I.D.  
(4.50")



**GTI ONE UNIT COUPLER SYSTEM**

US PATENT No. 4,896,470; 5,474,335; 5,072,558; 5,701,707; 5,720,139;  
5,762,300; 5,775,849; 5,897,102; 5,954,373; 6,012,867 DES.400,670  
US AND FOREIGN PATENTS PENDING



**GTI FLAT PLASTIC DUCT FOR .5" AND .6" BONDED SYSTEMS**

US PATENT No. DES.400,670  
US AND FOREIGN PATENTS PENDING

# CURRENT PRODUCTS FOR BONDED POST-TENSIONING

US PATENT No. 4,896,470; 5,474,335; 5,072,558; 5,701,707;  
5,720,139; 5,762,300; 5,775,849; 5,897,102; 5,954,373; 6,012,867;  
DES. 400,670  
US AND FOREIGN PATENTS PENDING



- FULL RANGE OF
- CLAMP-ON & SLIP-ON
- COUPLERS

- STRAND BULLETS
- GROUT VENT PLATES
- GROUT VALVES
- CUSTOM GROUT CAPS
- CUSTOM TRUMPETS



**GENERAL TECHNOLOGIES, INC.**



P.O. Box 1503  
13022 Trinity Drive  
Stafford, TX 77477  
Tel: (281) 240-0550

E-mail: [sales@gti-usa.net](mailto:sales@gti-usa.net)  
Website: [www.gti-usa.net](http://www.gti-usa.net)  
Fax: (281) 240-0990